

FLEXIROL 500 - METAL

Capacity:

- Maximum door weight: 500kg.
- Maximum door height: 6000mm.
- Maximum door width: 6000mm.
- Door thickness: 42mm - 100mm.

Application:

Henderson Flexirol is an aluminium track and hanger system for aluminium framed doors. It gives an interior designer or architect greater flexibility and suits metal doors with either angle frame or box section and aluminium extrusion.

Flexirol is ideally suited to all types of installations - hotels, conference centres, shop fronts, hospitals and any site where good looks and practicality are needed from a sliding gear system.

Components:

- Track - natural anodised aluminium (550). Available in 2m, 3m, 4m and 6m lengths.
- Track Jointing Strips - use four (551H/180) at each butt joint in the track.
- Brackets - adjustable face fix (1A/550).
- Hangers - stainless hanger, bolt-fix, 16mm pendant (500/16).
- Hangers - stainless hanger, plate fixing, 16mm pendant (500/61/42).
- Guides - metal doors (106RB/94).
- Guides - metal doors, plate fixing (106RN/94).
- Guides - metal doors, plate fixing (106R/94).
- Guide channel - brass (94). Available in 1.6m, 2m, 2.5m, 3m and 3.2m lengths.
- Guide channel - aluminium (94X). Available in 1.6m, 2m, 2.5m, 3m and 3.2m lengths.
- Guide channel - aluminium anodised (94XNAA). Available in 1.6m, 2m, 2.5m, 3m and 3.2m lengths.
- Guide channel - combination threshold/guide channel (94T). Available in 2m, 3m, 4m and 6m lengths.
- Guide channel - polypropylene (94P). Available in 2m, 3m, 4m and 6m lengths.
- Guide channel - polypropylene with aluminium support (94PA). Available in 2m, 3m, 4m and 6m lengths.

Optional Extras:

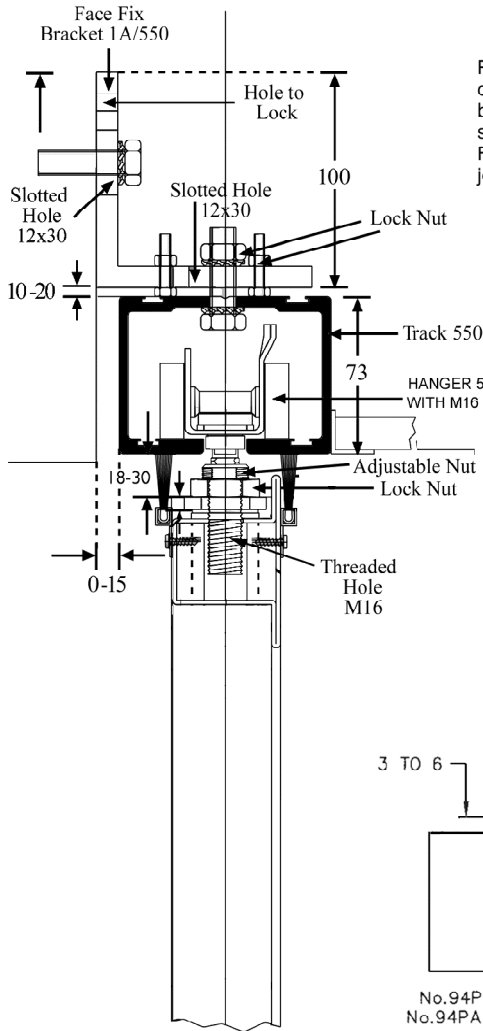
- Flush Pulls.
- Flush Bolts.
- Handles.
- Track stop - (HH3/301/SS).

Please note:

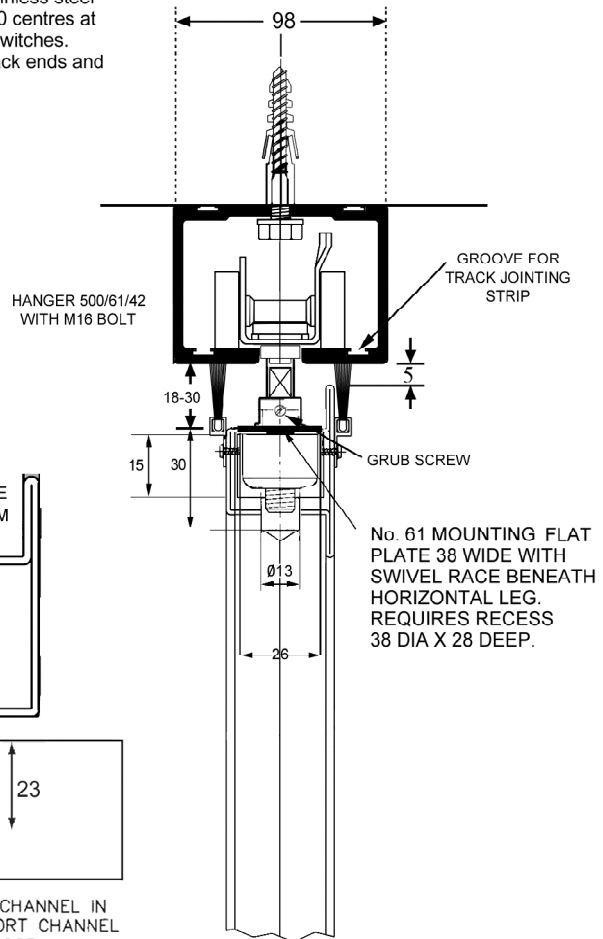
- The aluminium track is supplied in a silver anodised finish.
- Please refer to component section for component options and technical detail.


EXT
INT


FLEXIROL 500 - METAL

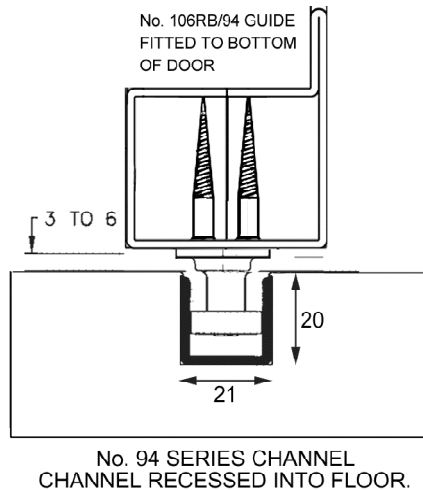
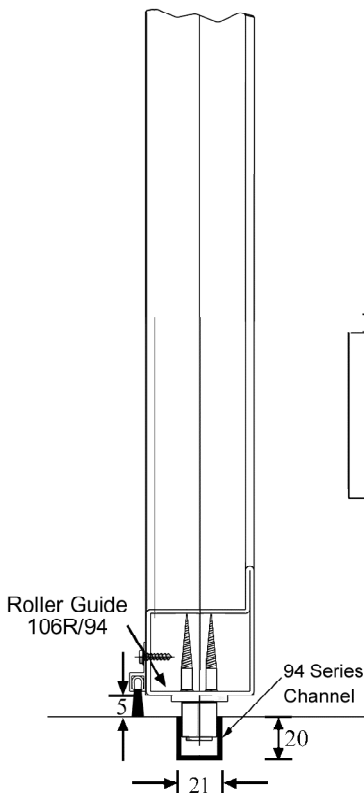


Fasten track at 500 maximum centres with M10 stainless steel bolts, reducing to 250 centres at stacking areas and switches. Fasten at 25 from track ends and joints.

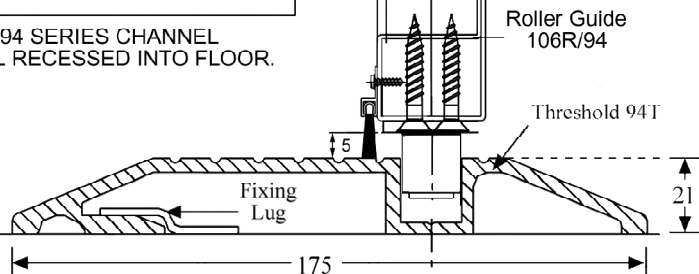


NOT TO SCALE

NOT TO SCALE



No. 94 SERIES CHANNEL CHANNEL RECESSED INTO FLOOR.



FLEXIROL 500 - METAL